

# Pentacam®/Pentacam® HR

## Technical Data

Scheimpflug camera	Pentacam®	Pentacam® HR
Camera	digital CCD camera	digital CCD camera
Light source	blue LED (475 nm UV-free)	blue LED (475 nm UV-free)
Processor	DSP with 400m operations/s	DSP with 400m operations/s
Speed	50 images in 2 seconds <sup>1)</sup>	100 images in 2 seconds <sup>2)</sup>
Measurement range	Pentacam®	Pentacam® HR
Curvature	3 - 38 mm 9 - 99D	3 - 38 mm 9 - 99D
Precision	± 0.2 D	± 0.1 D
Reproducibility	± 0.2 D	± 0.1 D
Operating distance	80 mm (3.1 in)	80 mm (3.1 in)
Technical specifications	Pentacam®	Pentacam® HR
Dimensions (W x D x H)	275 x 320 - 400 x 500 - 530 mm (10.8 x 12.6 - 15.7 x 19.7 - 20.9 in)	275 x 320 - 400 x 500 - 530 mm (10.8 x 12.6 - 15.7 x 19.7 - 20.9 in)
Weight	10.1 kg (22.3 lbs)	10.6 kg (23.4 lbs)
Max. power consumption	35 W	42 W
Recommended computer specifications	CPU Intel Core i5-6600, HDD 1 TB, RAM 8 GB, MS Windows® 10 Pro, VESA, USB interface	CPU Intel Core i5-6600, HDD 1 TB, RAM 8 GB, MS Windows® 10 Pro, VESA, USB interface

<sup>1)</sup> Scheimpflug image of the entire anterior segment

<sup>2)</sup> Cornea fine scan

CE in accordance with Medical Device Directive 93/42/EEC

WWW.OCULUS.DE



OCULUS is certified by TÜV according to  
DIN EN ISO 13485 MDSAP

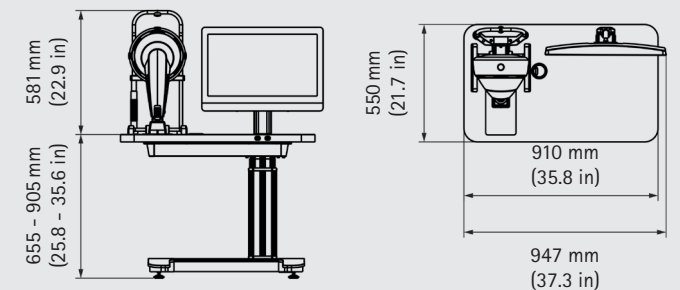
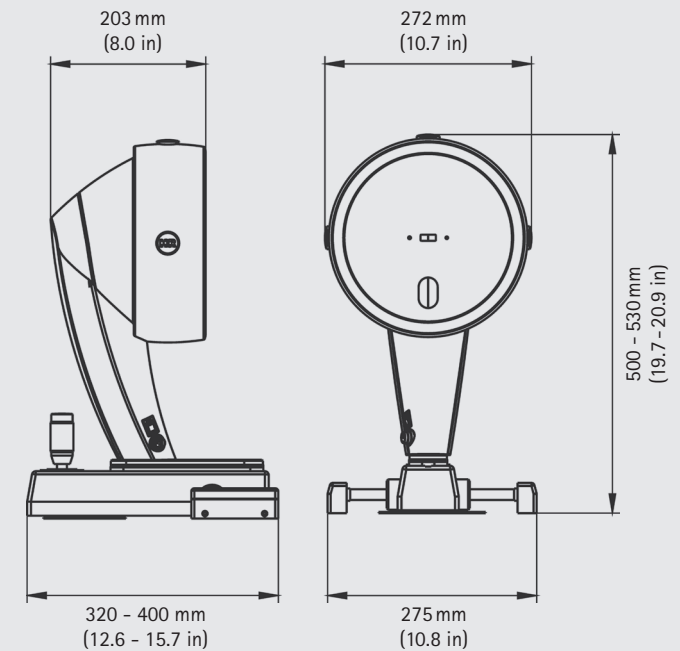
OCULUS Optikgeräte GmbH

Postfach • 35549 Wetzlar • GERMANY

Tel. +49 641 2005-0 • Fax +49 641 2005-295

Email: export@oculus.de • www.oculus.de

Find your local OCULUS representative on our website.



The availability of products and features may vary by country.  
OCULUS reserves the right to change product specifications and design.  
All information is valid at the time of printing (01/20).

OC/1895/WZ/EN

P/70700/EN