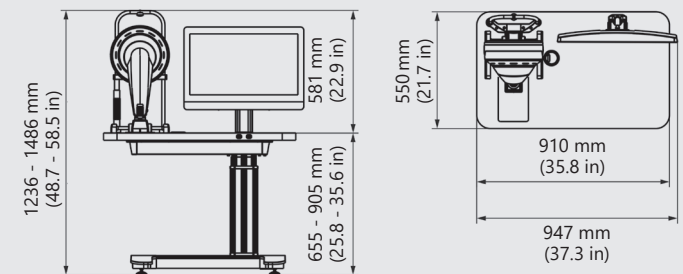
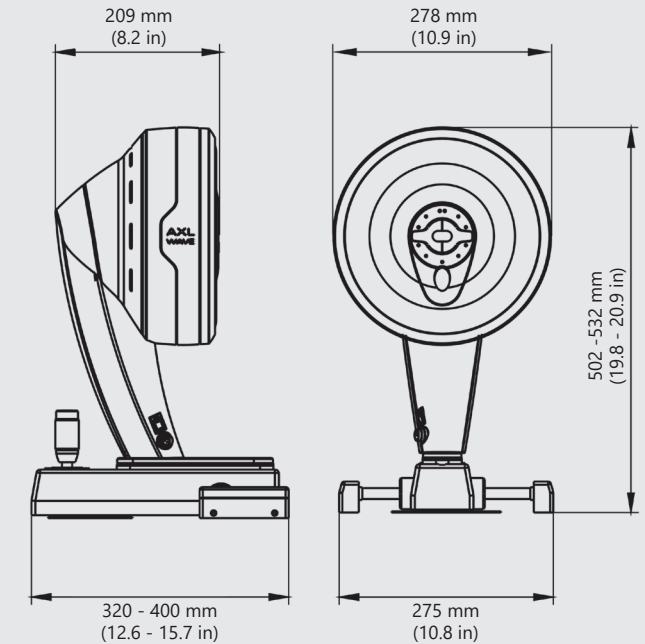


OCULUS Pentacam® AXL Wave

Technical Data

Scheimpflug camera	
Light source	blue LED (475 nm UV-free)
Speed	100 images in 2 seconds ¹⁾
Measurement range	
Axial length	14 - 40 mm
Curvature	3 - 38 mm 9 - 99 D
Refraction	-10 D to +6 D (7mm pupil diameter @ VD=0)
Operating distance	80 mm (3.1 in)
Technical specifications	
Weight	9 kg
Voltage	Measuring head: 24 V DC Power supply: 90 - 264 V AC (47 - 63 Hz)
Max. power consumption	35 W
Recommended computer specifications	Intel® Core™ i5, 500 GB SSD, 8 GB RAM, Windows® 10, Intel® HD Graphics, USB 2.0 Interface, 24" Screen 1920 x 1080 Pixel (Full HD)
Included IOL formulas	
Virgin eyes	Haigis, Barrett U2, Olsen ray tracing, Holladay 1, Hoffer Q, SRK/T
Treated corneas	Barrett True-K, Olsen ray-tracing, PotvinShammasHill, PotvinHill, double-K (Holladay 1, SRK/T, Hoffer Q)
Toric IOLs	Savini Toric (TCRP), Barrett toric (estimated and measured posterior surface), Olsen ray-tracing
Toric IOLs for treated corneas	Olsen ray-tracing
Post-op refractive errors	Barrett RX



WWW.OCULUS.DE



The OCULUS QM system is certified in accordance with ISO 13485 (MDSAP) and (EU) 2017/745 (MDR).

OCULUS Optikgeräte GmbH
Postfach • 35549 Wetzlar • GERMANY
Tel. +49 641 2005-0 • Fax +49 641 2005-295
Email: export@oculus.de • www.oculus.de

Find your local OCULUS representative on our website.

The availability of products and features may vary by country. OCULUS reserves the right to change product specifications and design. All information is valid at the time of printing (10/22).

46/1022/EN/HA
P/70020/EN