

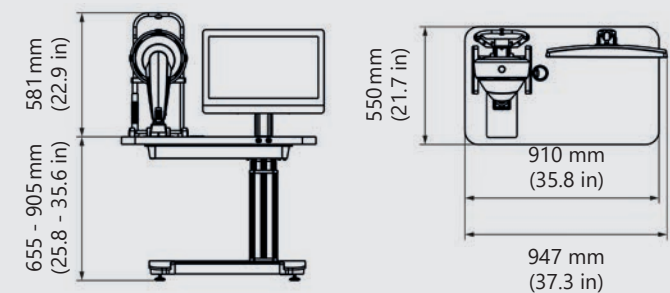
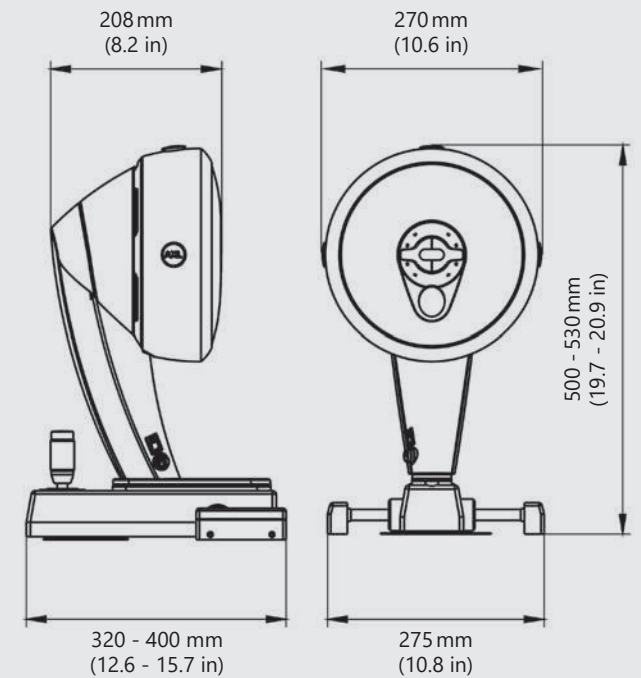
Pentacam® AXL

Technical Data

Scheimpflug camera	
Camera	digital CCD camera
Light source	blue LED (475 nm UV-free)
Processor	DSP with 400m operations/s
Speed	100 images in 2 seconds ¹⁾
Measurement range	
Axial length	14 - 40 mm
Curvature	3 - 38 mm 9 - 99D
Precision	± 0.1 D
Reproducibility	± 0.1 D
Operating distance	80 mm (3.1 in)
Technical specifications	
Dimensions (W x D x H)	275 x 320 - 400 x 500 - 530 mm (10.8 x 12.6 - 15.7 x 19.7 - 20.9 in)
Weight	8.4 kg (18.52 lbs)
Voltage	24 V DC
Frequency	47 - 63 Hz
Max. power consumption	42 W
Recommended computer specifications	CPU Intel Core i5-6600, 1 TB HDD, 8 GB RAM, MS Windows® 10Pro, VESA, USB interface

¹⁾ Cornea fine scan

CE in accordance with Medical Device Directive 93/42/EEC



WWW.OCULUS.DE



OCULUS is certified by TÜV according to
DIN EN ISO 13485 MDSAP

OCULUS Optikgeräte GmbH
Postfach • 35549 Wetzlar • GERMANY
Tel. +49 641 2005-0 • Fax +49 641 2005-295
Email: export@oculus.de • www.oculus.de

Find your local OCULUS representative on our website.

The availability of products and features may vary by country.
OCULUS reserves the right to change product specifications and design.
All information is valid at the time of printing (03/21).

OC/1895/WZ/EN
P/70100/EN