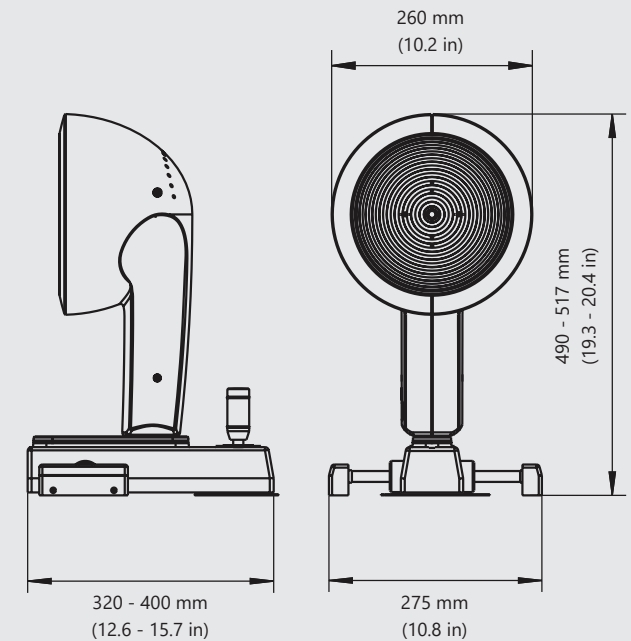


OCULUS Keratograph 4

Technical Data

General information	
Measurement range	3–38 mm, 9–99 D
Precision	± 0.1 D
Reproducibility	+/-0.1 D
Number of rings	22
Working distance	80 mm
Number of measuring points	22000
Camera	Digital CCD camera
Light source	Placido illumination: red diodes (650 nm) Imaging illumination: blue diodes (465 nm, UV-free) Pupillometry illumination: infrared diodes (880 nm)
Technical specifications	
Dimensions (WxDxH)	275 x 320 - 400 x 490 - 517mm (10.8 x 12.6 - 15.7 x 19.3 - 20.4 in)
Weight	11,7 lbs
Max. power consumption	18 W
Voltage	90 - 264 V AC
Frequency	100-240VAC, 47 - 63 Hz
Recommended computer specifications	CPU Intel® Core™ i5-7600, 1 TB HDD, 8 GB memory, Windows® 10Pro



WWW.OCULUS.DE



OCULUS is certified by TÜV according to
DIN EN ISO 13485 MDSAP

OCULUS Optikgeräte GmbH
Postfach • 35549 Wetzlar • GERMANY
Tel. +49 641 2005-0 • Fax +49 641 2005-295
Email: export@oculus.de • www.oculus.de

Find your local OCULUS representative on our website.

The availability of products and features may vary by country.
OCULUS reserves the right to change product specifications and
design. All information is valid at the time of printing (09/21).

OC/1895/WZ/EN
P/70670/EN