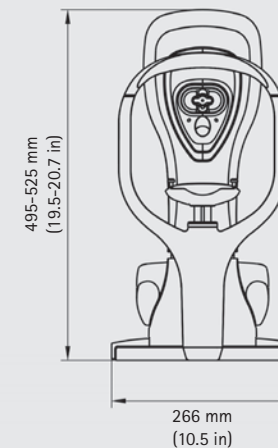
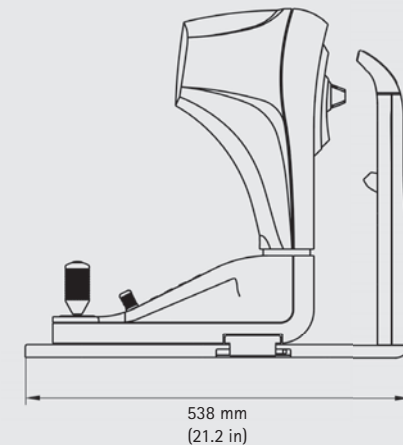


Technical Data

OCULUS Corvis® ST

Tonometer	
Measurement range	6 - 60 mmHg
Measurement distance	11 mm (0.4 in)
Inner fixation light	Red LED
3D auto tracking & auto release	
Scheimpflug camera	
Frame rate	4,330 images per sec
Measurement range	8.5 mm (0.3 in) horizontal coverage
Pachymeter measurement range	300 - 1,200 µm
Measuring points	576 per image (80,640 per examination)
Source of light	Blue LED (470 nm UV free)
Technical specifications	
Dimensions (W x D x H)	266 x 538 x 495 - 525 mm (10.5 x 21.2 x 19.5 - 20.7 in)
Weight	14 kg (30.8 lbs)
Max. power consumption	26 W
Voltage	100 - 240 V
Frequency	50 - 60 Hz
Recommended computer specifications	Core i5-4200M, 2.5 GHz, 4 GB, 500 GB, Windows® 7, Intel HD graphics 4600

CE in accordance with Medical Device Directive 93/42/EEC



WWW.OCULUS.DE

OCULUS Optikgeräte GmbH
Postfach • 35549 Wetzlar • GERMANY
Tel. +49-641-2005-0 • Fax +49-641-2005-295
Email: export@oculus.de • www.oculus.de

- OCULUS Asia, info@oculus.hk
- OCULUS Czechia, oculus@oculus.cz
- OCULUS Iberia, info@oculus.es
- OCULUS Poland, biuro@oculus.pl
- OCULUS Turkey, info@oculus-turkey.com.tr



OCULUS is certified by TÜV according to
DIN EN ISO 13485

The availability of products and features may vary by country.
OCULUS reserves the right to change product specifications and
design. All information is valid at the time of printing (03/17)



27/0317/EN/HA
P/72100/EN